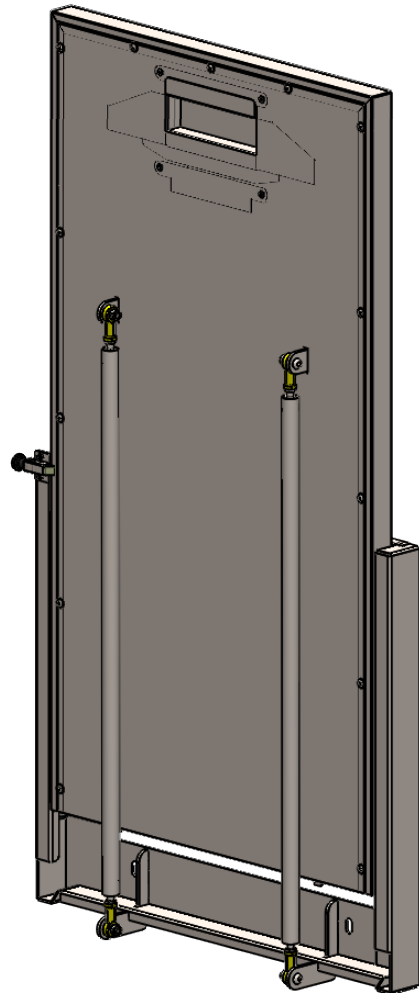




Wall Fixture Only.



Complete Assembly.

O:\Engineer\Solid Models\53 Vet Examination Tables\BC16-1150 Exam Table Easy Wall Mount\BC16-1150-FA1

 		K Care Pty Ltd 2 Shale Place Eastern Creek 2766 Ph 02 96201991 Fax 02 96202992 ABN 70 161 963 257		Description: <b>Easy Wall Mount Exam Table</b>					
Material : <b>mm 304 Stainless Table PC Wall Mount</b>		Blank: <b>mm (est.)</b>		Date Created: <b>15/02/2016</b>		Date Print: <b>25/10/2016</b>		SHEET 1 OF 1	
Finish :		Weight : <b>29.70 Kg</b>		Design: <b>RM</b>		Drawing No:		Iss:	
		Scale: <b>1:10 @ A4</b>		Drawn: <b>TW</b>		<b>BC16-1150-Spec</b>			

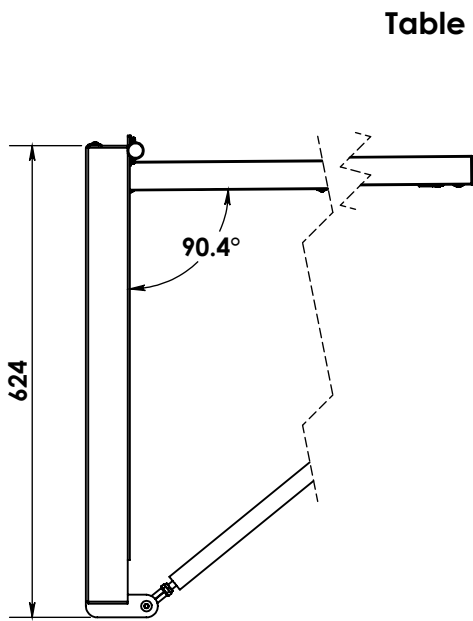
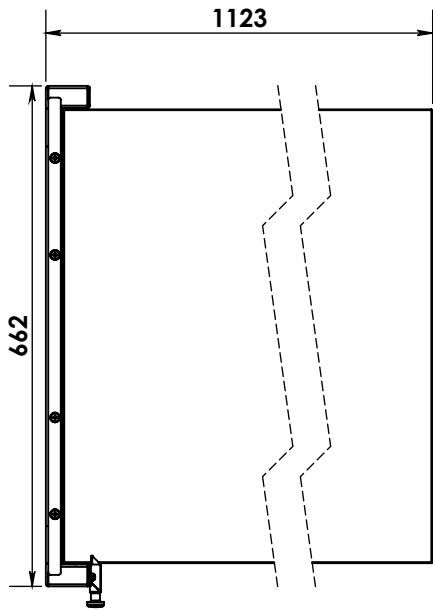
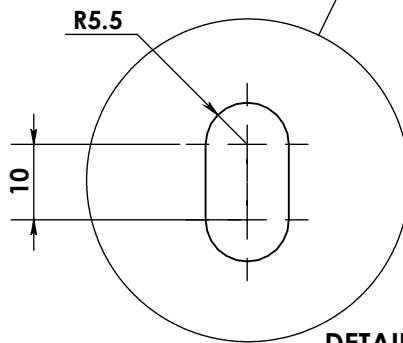
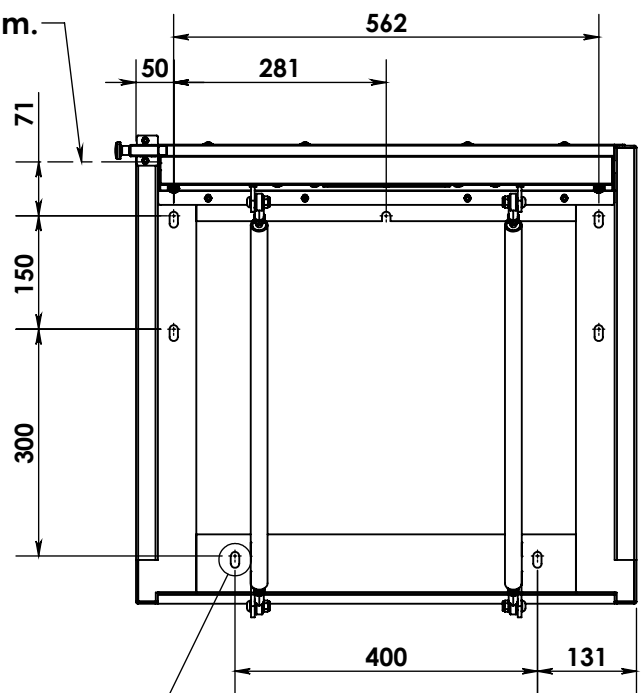


Table Top Datum.



DETAIL A  
SCALE 1 : 1

O:\Engineer\Solid Models\53 Vet Examination Tables\BC16-1150 Exam Table Easy Wall Mount\BC16-1150-FA1



K Care Pty Ltd  
2 Shale Place Eastern Creek 2766  
Ph 02 96201991 Fax 02 96202992  
ABN 70 161 963 257

Description:

**Easy Wall Mount Exam Table**

Material :  
**mm 304 Stainless Table PC Wall Mount**

Blank: **mm (est.)**

Weight : **29.70 Kg**

Date Created: **15/02/2016**

Date Print: **25/10/2016**

**SHEET 1 OF 1**

Finish :  
**1:10 @ A4**

Design: **RM**  
Drawn: **TW**

Drawing No:

**BC16-1150-Spec**

Iss: